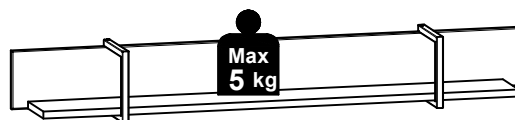
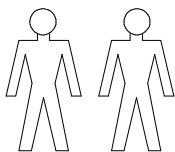
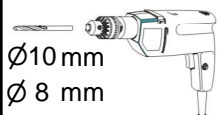
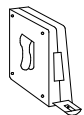
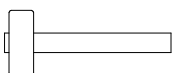
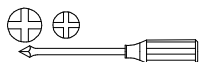
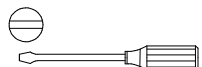


A**S507-P/2/16****10H9--41**

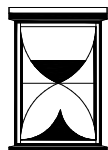
2 / 5



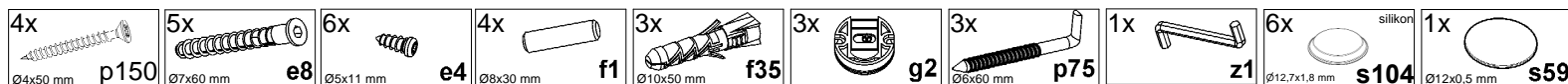
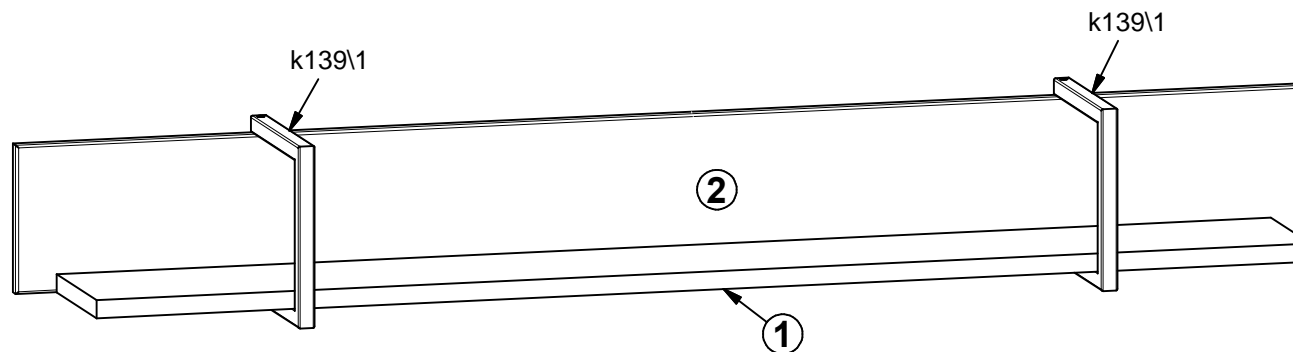
A	B	C1	C2	C3	D
1	S507-3016	1500	183	22	1/1
2	S507-4506	1600	180	16	1/1
3	k139\1				1/1



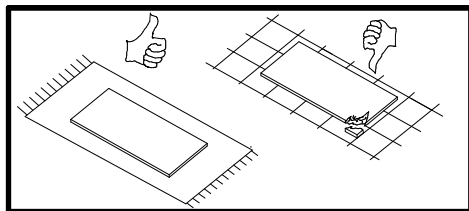
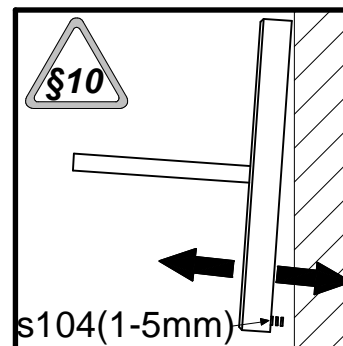
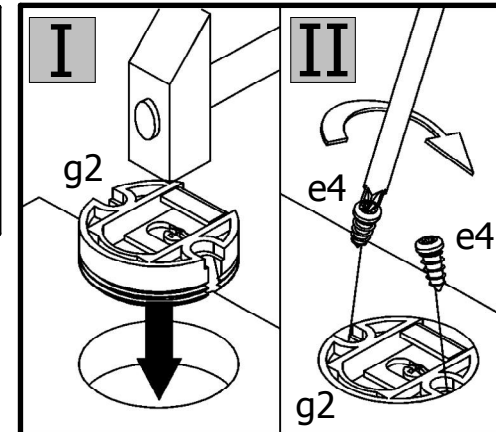
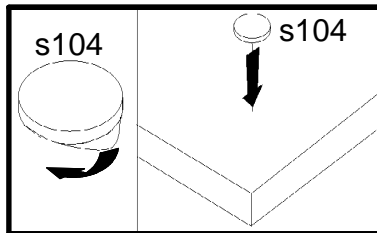
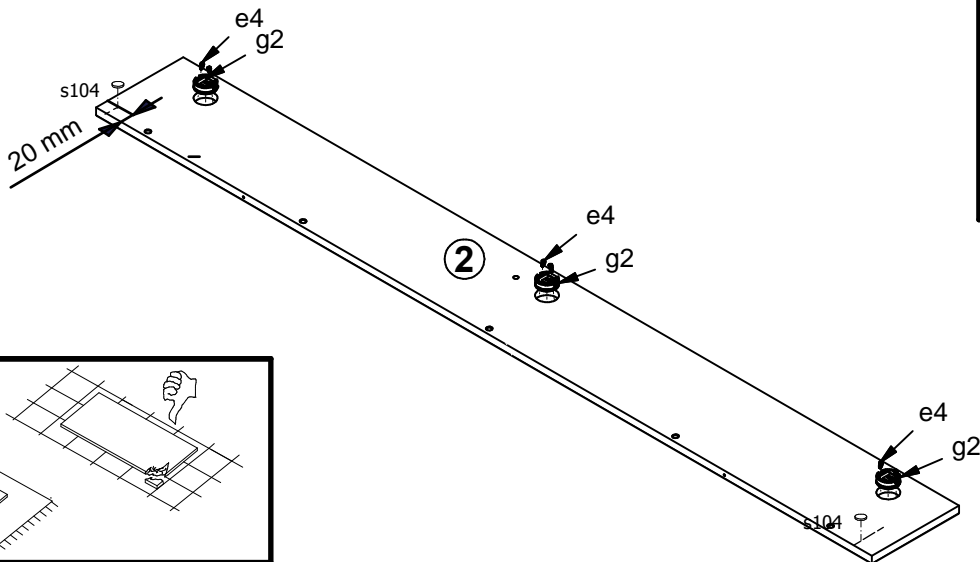
∅10 mm
∅ 8 mm



30min

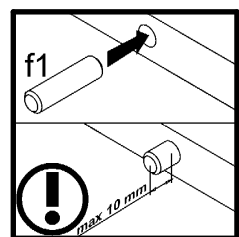
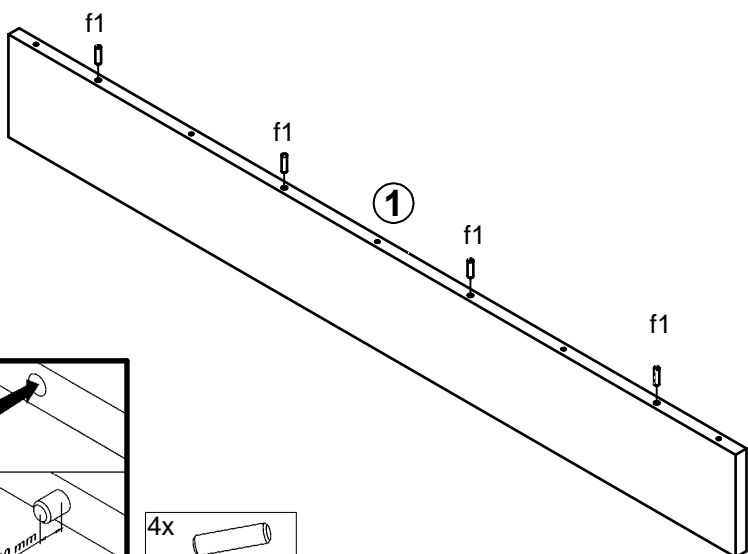


1 §2



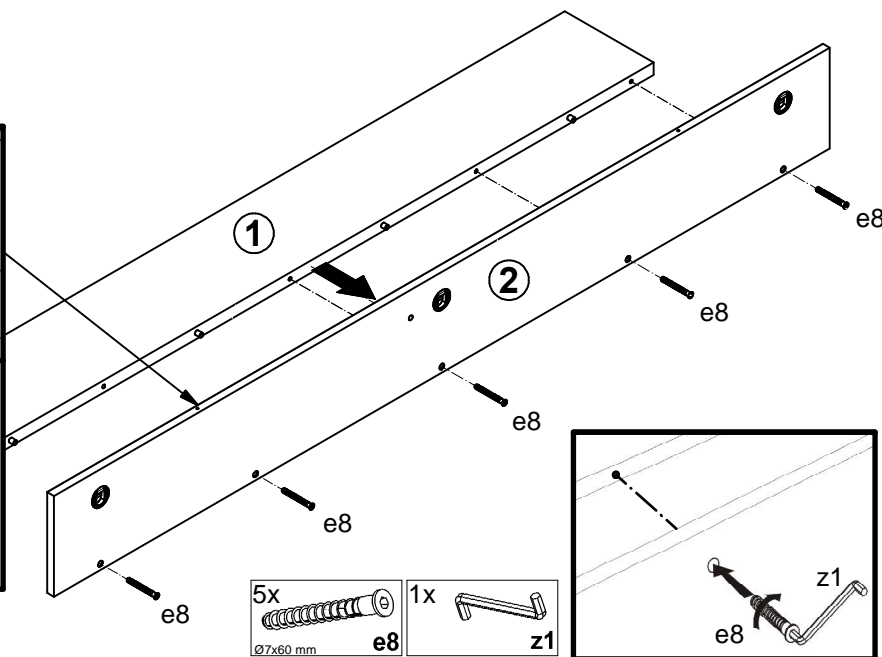
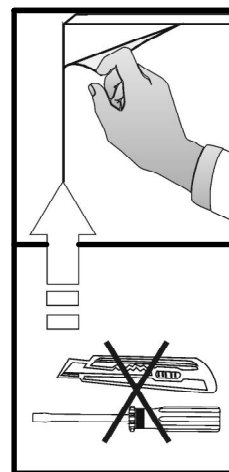
- 3x g2
- 6x Ø5x11 mm e4
- 6x silikon s104 Ø12,7x1,8 mm

1

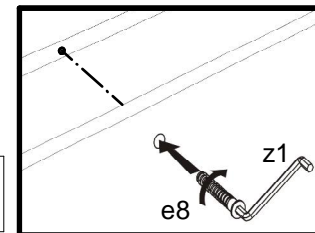


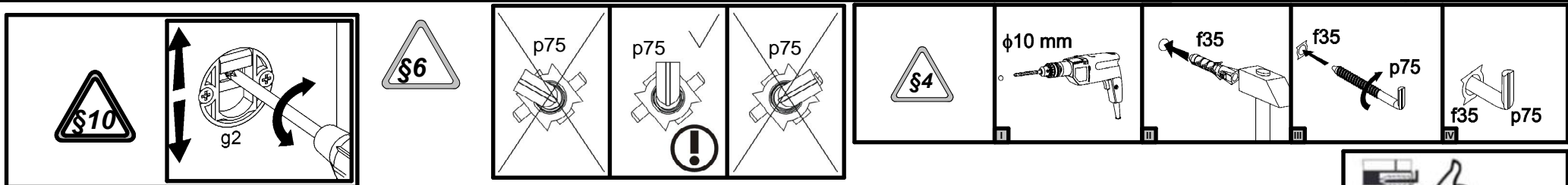
- 4x f1 Ø8x30 mm

2 §6

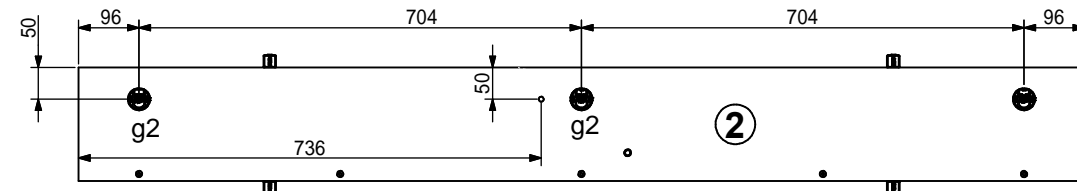
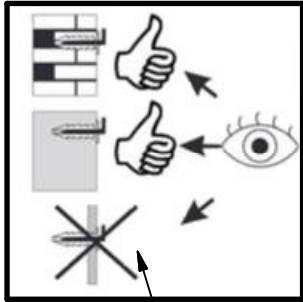
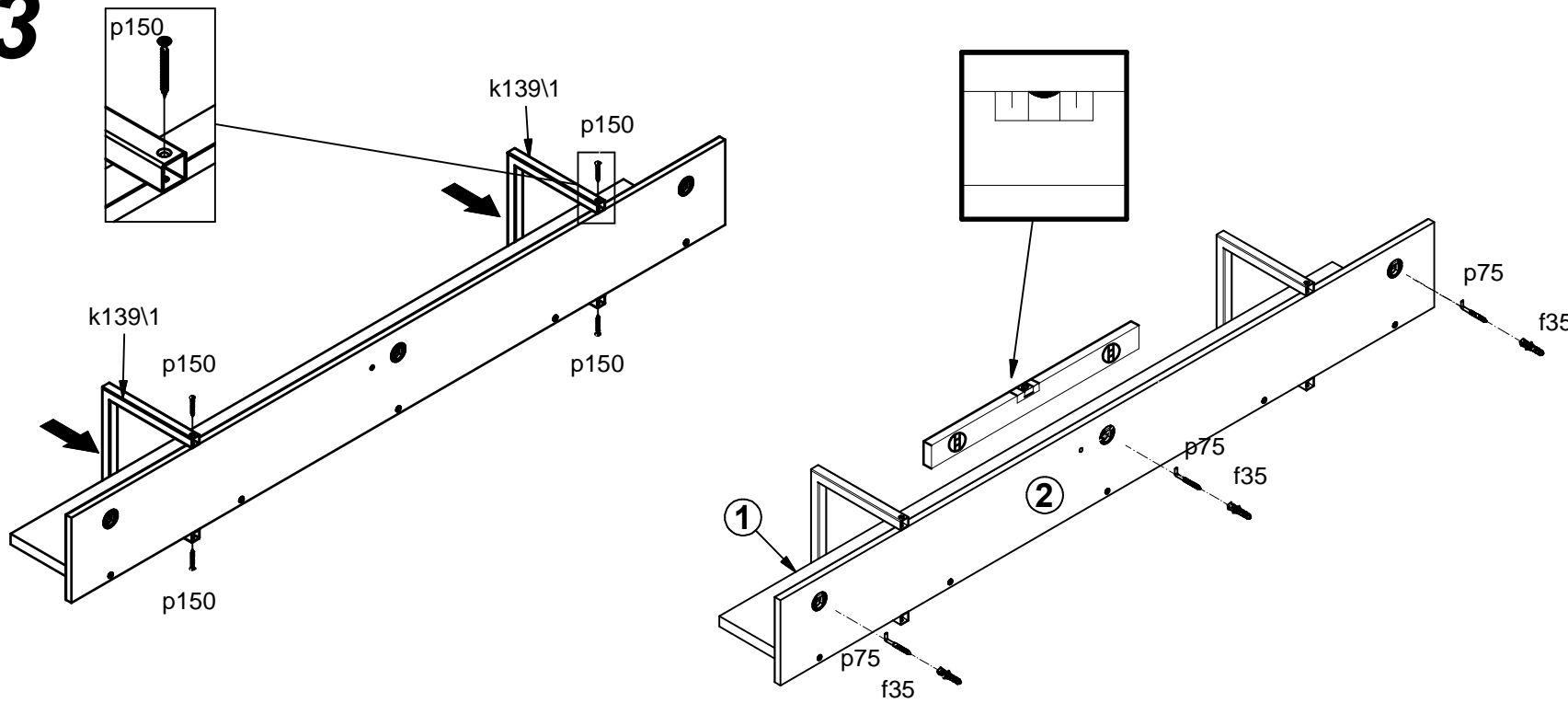


- 5x e8 Ø7x60 mm
- 1x z1





3



4

